

FUNCTION IN FIRE EXPERT JUDGEMENT REPORT WITH CLASSIFICATION FIRES-JR-052-11-NURE Issue 2

Cable bearing system VERGOKAN with cables DÄTWYLER and PRAKAB



This is an electronic version of a classification report which was made as a copy of classification report officially issued in a paper form. The electronic version of a classification report shall be used only for informative purpose. Any information listed in this classification report is the property of the sponsor and shall not be used or published without written permission. Contents of this file may only be modified by the editor i.e. FIRES, s.r.o., Batizovce. Sponsor is allowed to publish this classification report in parts only with written permission of the editor.

FUNCTION IN FIRE EXPERT JUDGEMENT REPORT WITH CLASSIFICATION

FIRES-JR-052-11-NURE Issue 2

Name of the product: Cable bearing system VERGOKAN with cables DÄTWYLER and PRAKAB

Sponsor: VERGOKAN
Meersbloem Melden 16
9700 Oudenaarde
Belgium

Prepared by: FIRES, s.r.o.
Approved Body No. SK01
Osloboditeľov 282
059 35 Batizovce
Slovak Republic

Task No.: PR-11-0329
Date of issue: 14. 12. 2011 (31. 08. 2011)

Reports: 3
Copy No.: 2

Distribution list:

Copy No. 1 FIRES, s.r.o., Osloboditeľov 282, 059 35 Batizovce, Slovak Republic
(electronic version)
Copy No. 2 VERGOKAN, Meersbloem Melden 16, 9700 Oudenaarde, Belgium
(electronic version)
Copy No. 3 VERGOKAN, Meersbloem Melden 16, 9700 Oudenaarde, Belgium

This expert judgement report consists of 8 pages and 10 annexes and may only be used or reproduced in its entirety.



1. INTRODUCTION

This expert judgement report with classification defines the function in fire classification assigned to element: cable bearing system VERGOKAN with cables DÄTWYLER and PRAKAB in accordance with the classes given in STN 92 0205: 2010, ZP-27/2008 PAVUS and DIN 4102 – 12: 1998-11.

This expert judgement report defines field of application which is outside the field of direct application according test standard or outside the field of extended application according to relevant extended application standard. This expert judgement expresses the opinion of the FIRES and is based on the experience or internal rules of FIRES.

This expert judgement in 2nd issue of Fire resistance expert judgement report with classification No. FIRES-JR-052-11-NURE, issue by FIRES, s.r.o., Batizovce on 31. 08. 2011, into which the change of product dimensions in clauses 2.2., 4.1., 4.2., 4.3. of this document.

2. DETAILS OF CLASSIFIED PRODUCT

2.1 GENERAL

The product, cable bearing system VERGOKAN, is defined as a cable bearing system for power and communication halogen free cables with circuit integrity maintenance

2.2 PRODUCT DESCRIPTION

Cable bearing system is made of steel cable trays with interlocking system KBSI (60 x 400 x 1,0) mm and steel cable trays with snap-in system KBSTI (60 x 400 x 1,0) mm and (60 x 300 x 0,75) mm fixed to heavy joined steel brackets WKM 400 which are fixed from one side to steel U-shaped ceiling profiles HSMU (50x50x1000) mm. Ceiling profiles were fixed to the ceiling in span of 1500 mm.

Trays were loaded by steel chains; loading of each tray was 20 kg.m⁻¹.

Details of materials, used screws and type of fixation are shown in details in drawings.

Cables used during the test:

DÄTWYLER cables (manufacturer: Dätwyler AG, Gotthardstrasse 31, CH-6460 Altdorf, Switzerland):

cable (N)HXH FE180 E30-E60 4x50 RM (2x);
cable (N)HXH FE180 E30-E60 4x1,5 RE (2x);
cable (N)HXCH FE180 E30-E60 4x50 RM/25 (2x);
cable (N)HXCH FE180 E30-E60 4x1,5 RE/1,5 (2x);
cable (N)HXH FE180 E90 4x50 RM (2x);
cable (N)HXH FE180 E90 4x1,5 RE (2x);
cable (N)HXCH FE180 E90 4x50 RM/25 (2x);
cable (N)HXCH FE180 E90 4x2,5 RE/2,5 (2x);
JE-H(St)H...Bd FE180 E30-E90 2x2x0,8 (6x);
JE-H(St)HRH...Bd FE180 E30-E90 2x2x0,8 (6x).

PRAKAB cables (manufacturer: PRAKAB, Ke Kablu 278, CZ-102 09 Praha-Hostivař, Czech Republic):

cable (N)HXCH FE 180 E90 4x50 RM/25 (2x);
cable (N)HXCH FE 180 E90 4x1,5 RE/1,5 (2x);
JE-H(St)H FE180 E90 2x2x0,8 (2x).

The length of supporting constructions and cables was 5,5 m, 4 m from that was exposed to fire. Power and communication cables were fixed to the steel sheet trays in the points of allowed bending radius by steel clamps according to the cable diameter.

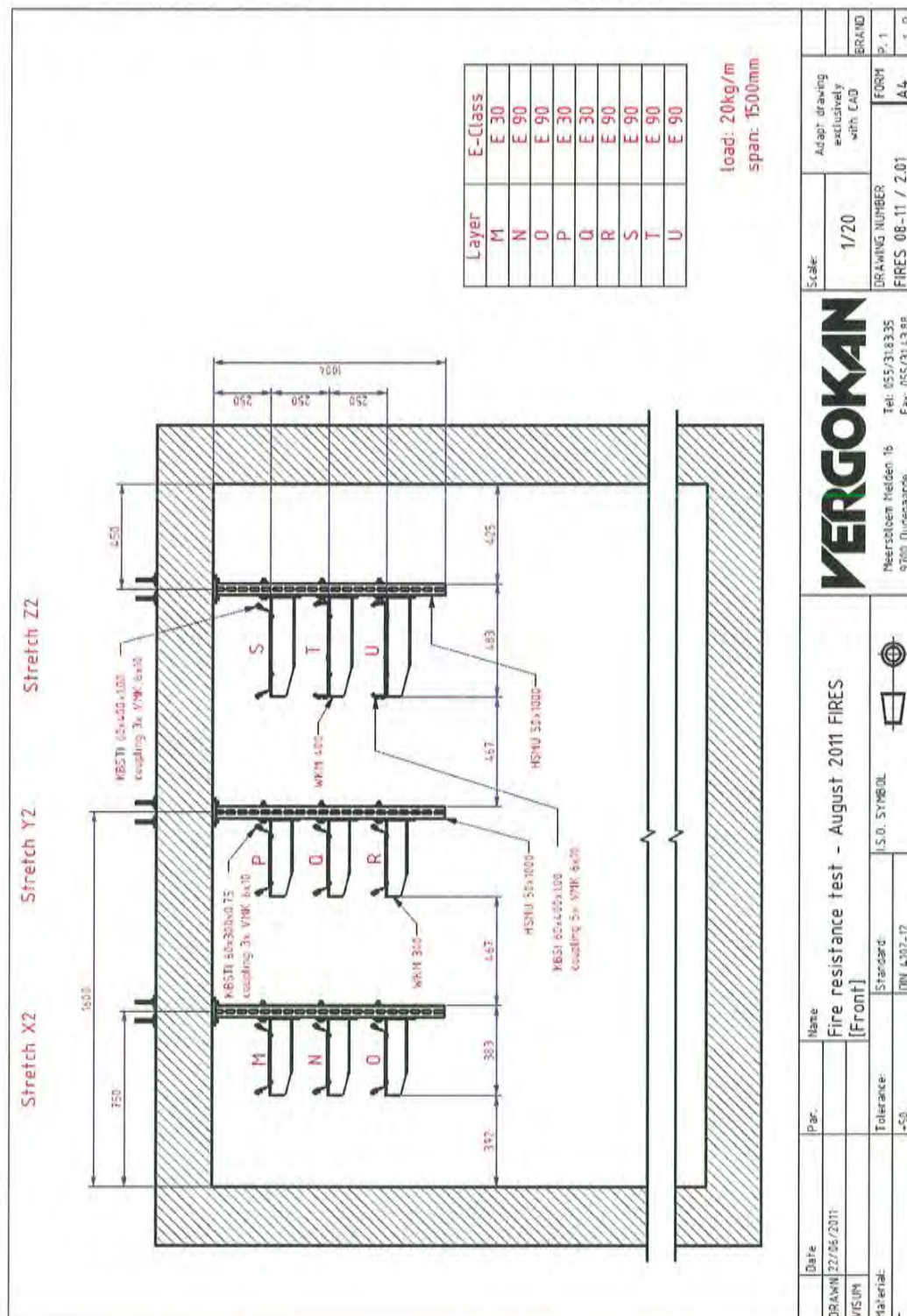


3. TEST REPORTS AND EXTENDED APPLICATION REPORTS IN SUPPORT OF CLASSIFICATION

3.1 TEST REPORTS AND EXTENDED APPLICATION REPORTS

No.	Name of laboratory	Name of sponsor	Test report No.	Date of the test	Test method
[1]	FIRES, s.r.o., Batizovce, SK	VERGOKAN, 9700 Oudenaarde, Belgium	FIRES-FR- 172-11-AUNE	18. 08. 2011	DIN 4102 – 12:1998-11

3.2 LAYOUT OF THE SUPPORTING CONSTRUCTION DURING THE COURSE OF THE TEST





3.3 TEST RESULTS

Power cables DÄTWYLER:

Specimen No.	Cables DÄTWYLER	Stretch/ support	Time to first failure / interruption of conductor
S1	cable (N)HXH FE180 E30-E60 4x50 RM	X2 - M	93 minutes no failure / interruption
S2	cable (N)HXH FE180 E30-E60 4x50 RM		93 minutes no failure / interruption
S3	cable (N)HXH FE180 E90 4x50 RM	X2 - N	93 minutes no failure / interruption
S4	cable (N)HXH FE180 E90 4x50 RM		93 minutes no failure / interruption
S5	cable (N)HXCH FE180 E90 4x50 RM/25	X2 - O	93 minutes no failure / interruption
S6	cable (N)HXCH FE180 E90 4x50 RM/25		93 minutes no failure / interruption
S7	cable (N)HXCH FE180 E30-E60 4x50 RM/25	Y2 - P	93 minutes no failure / interruption
S8	cable (N)HXCH FE180 E30-E60 4x50 RM/25		93 minutes no failure / interruption
S9	cable (N)HXCH FE180 E30-E60 4x1,5 RE/1,5	Y2 - Q	93 minutes no failure / interruption
S10	cable (N)HXCH FE180 E30-E60 4x1,5 RE/1,5		93 minutes no failure / interruption
S11	cable (N)HXH FE180 E30-E60 4x1,5 RE		93 minutes no failure / interruption
S12	cable (N)HXH FE180 E30-E60 4x1,5 RE	Y2 - R	73 minutes
S13	cable (N)HXCH FE180 E90 4x2,5 RE/2,5		93 minutes no failure / interruption
S14	cable (N)HXCH FE180 E90 4x2,5 RE/2,5		93 minutes no failure / interruption
S15	cable (N)HXH FE180 E90 4x1,5 RE		93 minutes no failure / interruption
S16	cable (N)HXH FE180 E90 4x1,5 RE		93 minutes no failure / interruption

Power cables PRAKAB:

Specimen No.	Cables PRAKAB	Stretch/ support	Time to first failure / interruption of conductor
S17	cable (N)HXCH FE 180 E90 4x50 RM/25	Z2 - U	93 minutes no failure / interruption
S18	cable (N)HXCH FE 180 E90 4x50 RM/25		81 minutes
S19	cable (N)HXCH FE 180 E90 4x1,5 RE/1,5		93 minutes no failure / interruption
S20	cable (N)HXCH FE 180 E90 4x1,5 RE/1,5		93 minutes no failure / interruption

Communication cables DÄTWYLER:

Specimen No.	Cables DÄTWYLER	Stretch / support	Time to first failure / interruption of conductor
S52	cable JE-H(St)H...Bd FE180 E30-E90 2x2x0,8	X2 - M	35 minutes
S53	cable JE-H(St)H...Bd FE180 E30-E90 2x2x0,8	X2 - N	24 minutes
S54	cable JE-H(St)HRH...Bd FE180 E30-E90 2x2x0,8	X2 - O	23 minutes
S55	cable JE-H(St)HRH...Bd FE180 E30-E90 2x2x0,8	Y2 - P	29 minutes
S56	cable JE-H(St)HRH...Bd FE180 E30-E90 2x2x0,8		33 minutes
S57	cable JE-H(St)HRH...Bd FE180 E30-E90 2x2x0,8	Z2 - S	93 minutes no failure / interruption
S58	cable JE-H(St)H...Bd FE180 E30-E90 2x2x0,8		30 minutes
S59	cable JE-H(St)H...Bd FE180 E30-E90 2x2x0,8		93 minutes no failure / interruption
S60	cable JE-H(St)HRH...Bd FE180 E30-E90 2x2x0,8	Z2 - T	41 minutes
S61	cable JE-H(St)HRH...Bd FE180 E30-E90 2x2x0,8		51 minutes
S62	cable JE-H(St)H...Bd FE180 E30-E90 2x2x0,8		35 minutes
S63	cable JE-H(St)H...Bd FE180 E30-E90 2x2x0,8		93 minutes no failure / interruption

Communication cables PRAKAB:

Specimen No.	Cables PRAKAB	Stretch / support	Time to first failure / interruption of conductor
S64	cable JE-H(St)H FE180 E90 2x2x0,8	Z2 - U	93 minutes no failure / interruption
S65	cable JE-H(St)H FE180 E90 2x2x0,8		12 minutes

The test was terminated in 94th minute at the request of test sponsor.



Specimens S1 – S20 were tested by three-phase voltage supply 3 x 230/400V with bulbs 240V / 60 W. Specimens S52 – S65 were tested by one-phase voltage supply 1 x 110V with LED diodes 3V /0,03W. Circuit breakers with rating 3 A were used.

4. CLASSIFICATION AND FIELD OF APPLICATION

4.1 REFERENCE OF CLASSIFICATION

This classification has been carried out in accordance with clause 3.2 of STN 92 0205: 2010, clause 11 of ZP-27/2008 PAVUS and clause 3.2 of DIN 4102 – 12: 1998-11.

4.2 CLASSIFICATION ACCORDING TO STN 92 0205

Tray / max. span / max. loading	Cable DÄTWYLER	Type of tested cable, single cross-sections and number of conductors	Classification	Range of cables (by cross-sections and number of conductors)
TRAY KBSTI 60x300x0,75 / 1500 mm / 20 kg.m ⁻¹	cable (N)HXH FE180 E30-E60	(N)HXH FE180 E30-E60 4x1,5 RE	PS 60	n x ≥ 1,5 mm ² n ≥ 2
		(N)HXH FE180 E30-E60 4x50 RM	PS 90	n x 50 mm ² n ≥ 2
	cable (N)HXCH FE180 E30-E60	(N)HXCH FE180 E30-E60 4x1,5 RE/1,5	PS 90	n x ≥ 1,5 mm ² n ≥ 2
		(N)HXCH FE180 E30-E60 4x50 RM/25		
	cable (N)HXH FE180 E90	(N)HXH FE180 E90 4x1,5 RE	PS 90	n x ≥ 1,5 mm ² n ≥ 2
		(N)HXH FE180 E90 4x50 RM		
	cable (N)HXCH FE180 E90	(N)HXCH FE180 E90 4x2,5 RE/2,5	PS 90	n x ≥ 2,5 mm ² n ≥ 2
		(N)HXCH FE180 E90 4x50 RM/25		
cable JE-H(St)H...Bd FE180 E30-E90	JE-H(St)H...Bd FE180 E30-E90 2x2x0,8	PS 15	n x 2 x ≥ 0,8 mm (n ≥ 2)	
		PS 15	n x 2 x ≥ 0,8 mm (n ≥ 2)	
TRAY KBSTI 60x400x1,00/ 1500 mm / 20 kg.m ⁻¹	cable JE- H(St)HRH...Bd FE180 E30-E90	JE-H(St)H...Bd FE180 E30-E90 2x2x0,8	PS 30	n x 2 x ≥ 0,8 mm (n ≥ 2)
		JE-H(St)HRH...Bd FE180 E30-E90 2x2x0,8	PS 30	n x 2 x ≥ 0,8 mm (n ≥ 2)
TRAY KBSI 60x400x1,00/ 1500 mm / 20 kg.m ⁻¹	cable JE- H(St)HRH...Bd FE180 E30-E90	JE-H(St)H...Bd FE180 E30-E90 2x2x0,8	PS 30	n x 2 x ≥ 0,8 mm (n ≥ 2)
		JE-H(St)HRH...Bd FE180 E30-E90 2x2x0,8	PS 30	n x 2 x ≥ 0,8 mm (n ≥ 2)



Tray / max. span / max. loading	Cable PRAKAB	Type of tested cable, single cross-sections and number of conductors	Classification	Range of cables (by cross-sections and number of conductors)
TRAY KBSI 60x400x1,00/ 1500 mm / 20 kg.m ⁻¹	cable (N)HXCH FE 180 E90	(N)HXCH FE 180 E90 4x1,5 RE/1,5	PS 90	n x 1,5 mm ² n ≥ 2
		(N)HXCH FE 180 E90 4x50 RM/25	PS 60	n x ≥ 1,5 mm ² n ≥ 2

4.3 CLASSIFICATION ACCORDING TO ZP-27/2008 PAVUS

Tray / max. span / max. loading	Cable DÄTWYLER	Type of tested cable, single cross-sections and number of conductors	Classification	Range of cables (by cross-sections and number of conductors)
TRAY KBSTI 60x300x0,75 / 1500 mm / 20 kg.m ⁻¹	cable (N)HXH FE180 E30-E60	(N)HXH FE180 E30-E60 4x1,5 RE	P 60-R	n x ≥ 1,5 mm ² n ≥ 2
		(N)HXH FE180 E30-E60 4x50 RM	P 90-R	n x 50 mm ² n ≥ 2
	cable (N)HXCH FE180 E30-E60	(N)HXCH FE180 E30-E60 4x1,5 RE/1,5	P 90-R	n x ≥ 1,5 mm ² n ≥ 2
		(N)HXCH FE180 E30-E60 4x50 RM/25		
	cable (N)HXH FE180 E90	(N)HXH FE180 E90 4x1,5 RE	P 90-R	n x ≥ 1,5 mm ² n ≥ 2
		(N)HXH FE180 E90 4x50 RM		
	cable (N)HXCH FE180 E90	(N)HXCH FE180 E90 4x2,5 RE/2,5	P 90-R	n x ≥ 2,5 mm ² n ≥ 2
		(N)HXCH FE180 E90 4x50 RM/25		
cable JE-H(St)H...Bd FE180 E30-E90	JE-H(St)H...Bd FE180 E30-E90 2x2x0,8	P 15-R	n x 2 x ≥ 0,8 mm (n ≥ 2)	
cable JE-H(St)HRH...Bd FE180 E30-E90	JE-H(St)HRH...Bd FE180 E30-E90 2x2x0,8	P 15-R	n x 2 x ≥ 0,8 mm (n ≥ 2)	
TRAY KBSTI 60x400x1,00/ 1500 mm / 20 kg.m ⁻¹	cable JE-H(St)H...Bd FE180 E30-E90	JE-H(St)H...Bd FE180 E30-E90 2x2x0,8	P 30-R	n x 2 x ≥ 0,8 mm (n ≥ 2)
	cable JE-H(St)HRH...Bd FE180 E30-E90	JE-H(St)HRH...Bd FE180 E30-E90 2x2x0,8	P 30-R	n x 2 x ≥ 0,8 mm (n ≥ 2)
TRAY KBSI 60x400x1,00/ 1500 mm / 20 kg.m ⁻¹	cable JE-H(St)H...Bd FE180 E30-E90	JE-H(St)H...Bd FE180 E30-E90 2x2x0,8	P 30-R	n x 2 x ≥ 0,8 mm (n ≥ 2)
	cable JE-H(St)HRH...Bd FE180 E30-E90	JE-H(St)HRH...Bd FE180 E30-E90 2x2x0,8	P 30-R	n x 2 x ≥ 0,8 mm (n ≥ 2)

Tray / max. span / max. loading	Cable PRAKAB	Type of tested cable, single cross-sections and number of conductors	Classification	Range of cables (by cross-sections and number of conductors)
TRAY KBSI 60x400x1,00/ 1500 mm / 20 kg.m ⁻¹	cable (N)HXCH FE 180 E90	(N)HXCH FE 180 E90 4x1,5 RE/1,5	P 90-R	n x 1,5 mm ² n ≥ 2
		(N)HXCH FE 180 E90 4x50 RM/25	P 60-R	n x ≥ 1,5 mm ² n ≥ 2



4.4 CLASSIFICATION ACCORDING TO DIN 4102 – 12: 1998-11

Tray / max. span / max. loading	Cable DÄTWYLER	Type of tested cable, single cross-sections and number of conductors	Classification	Range of cables (by cross-sections and number of conductors)
TRAY KBSTI 60x300x0,75 / 1500 mm / 20 kg.m ⁻¹	cable (N)HXH FE180 E30-E60	(N)HXH FE180 E30-E60 4x1,5 RE	E 60	$n \times \geq 1,5 \text{ mm}^2$ $n \geq 2$
		(N)HXH FE180 E30-E60 4x50 RM	E 90	$n \times 50 \text{ mm}^2$ $n \geq 2$
	cable (N)HXCH FE180 E30-E60	(N)HXCH FE180 E30-E60 4x1,5 RE/1,5	E 90	$n \times \geq 1,5 \text{ mm}^2$ $n \geq 2$
		(N)HXCH FE180 E30-E60 4x50 RM/25		
	cable (N)HXH FE180 E90	(N)HXH FE180 E90 4x1,5 RE	E 90	$n \times \geq 1,5 \text{ mm}^2$ $n \geq 2$
		(N)HXH FE180 E90 4x50 RM		
cable (N)HXCH FE180 E90	(N)HXCH FE180 E90 4x2,5 RE/2,5	E 90	$n \times \geq 2,5 \text{ mm}^2$ $n \geq 2$	
	(N)HXCH FE180 E90 4x50 RM/25			
TRAY KBSTI 60x400x1,00/ 1500 mm / 20 kg.m ⁻¹	cable JE-H(St)H...Bd FE180 E30-E90	JE-H(St)H...Bd FE180 E30-E90 2x2x0,8	E 30	$n \times 2 \times \geq 0,8 \text{ mm}$ ($n \geq 2$)
	cable JE- H(St)HRH...Bd FE180 E30-E90	JE-H(St)HRH...Bd FE180 E30-E90 2x2x0,8	E 30	$n \times 2 \times \geq 0,8 \text{ mm}$ ($n \geq 2$)
TRAY KBSI 60x400x1,00/ 1500 mm / 20 kg.m ⁻¹	cable JE-H(St)H...Bd FE180 E30-E90	JE-H(St)H...Bd FE180 E30-E90 2x2x0,8	E 30	$n \times 2 \times \geq 0,8 \text{ mm}$ ($n \geq 2$)
	cable JE- H(St)HRH...Bd FE180 E30-E90	JE-H(St)HRH...Bd FE180 E30-E90 2x2x0,8	E 30	$n \times 2 \times \geq 0,8 \text{ mm}$ ($n \geq 2$)

Tray / max. span / max. loading	Cable PRAKAB	Type of tested cable, single cross-sections and number of conductors	Classification	Range of cables (by cross-sections and number of conductors)
TRAY KBSI 60x400x1,00/ 1500 mm / 20 kg.m ⁻¹	cable (N)HXCH FE 180 E90	(N)HXCH FE 180 E90 4x1,5 RE/1,5	E 90	$n \times 1,5 \text{ mm}^2$ $n \geq 2$
		(N)HXCH FE 180 E90 4x50 RM/25	E 60	$n \times \geq 1,5 \text{ mm}^2$ $n \geq 2$

5. FIELD OF APPLICATION

This classification is valid for the following end use applications:

- test results are applicable only for tested bearing systems;
- maximum span of supports of cable trays is 1500 mm;
- maximum loading of tray is 20 kg.m⁻¹;
- sufficient type of fixation of the head plates of U-shaped ceiling profiles to ceiling must be provided calculated to maximum loading of trays and span of supports;
- test results are applicable also for same supporting constructions with smaller spacing of steel U-shaped ceiling profiles and loading;
- test results are applicable also for smaller dimension range of same construction as tested;



- test results of cables in bearing systems from steel with coating services (galvanized) are applicable also for bearing systems from stainless steel or other coating services (pre-galvanized, hot-dipped);
- test results of cables in trays attached at ceiling are applicable also for cables placed in bearing system fixed to wall;
- test result is applicable to cable without connecting elements (e.g. sleeves and junction boxes);
- test result is applicable to welded head plate to steel U-shaped ceiling profiles;
- heavy joined steel brackets WKM shall be fixed to steel U-shaped ceiling profiles HSMU from one or from two sides, providing the maximum loading of U-shaped ceiling profiles is not more than during the fire test and only if sufficient type of fixation of the head plates to ceiling is provided.

6. LIMITATIONS

Load-bearing construction elements for fixing of cable systems must be proved for at least the same fire resistance compare to classified function in fire of cable system.

This classification document does not represent type approval or certification of the product.

The classification is valid until 31. 08. 2016 provided that the product, field of application and standards and regulations are not changed.

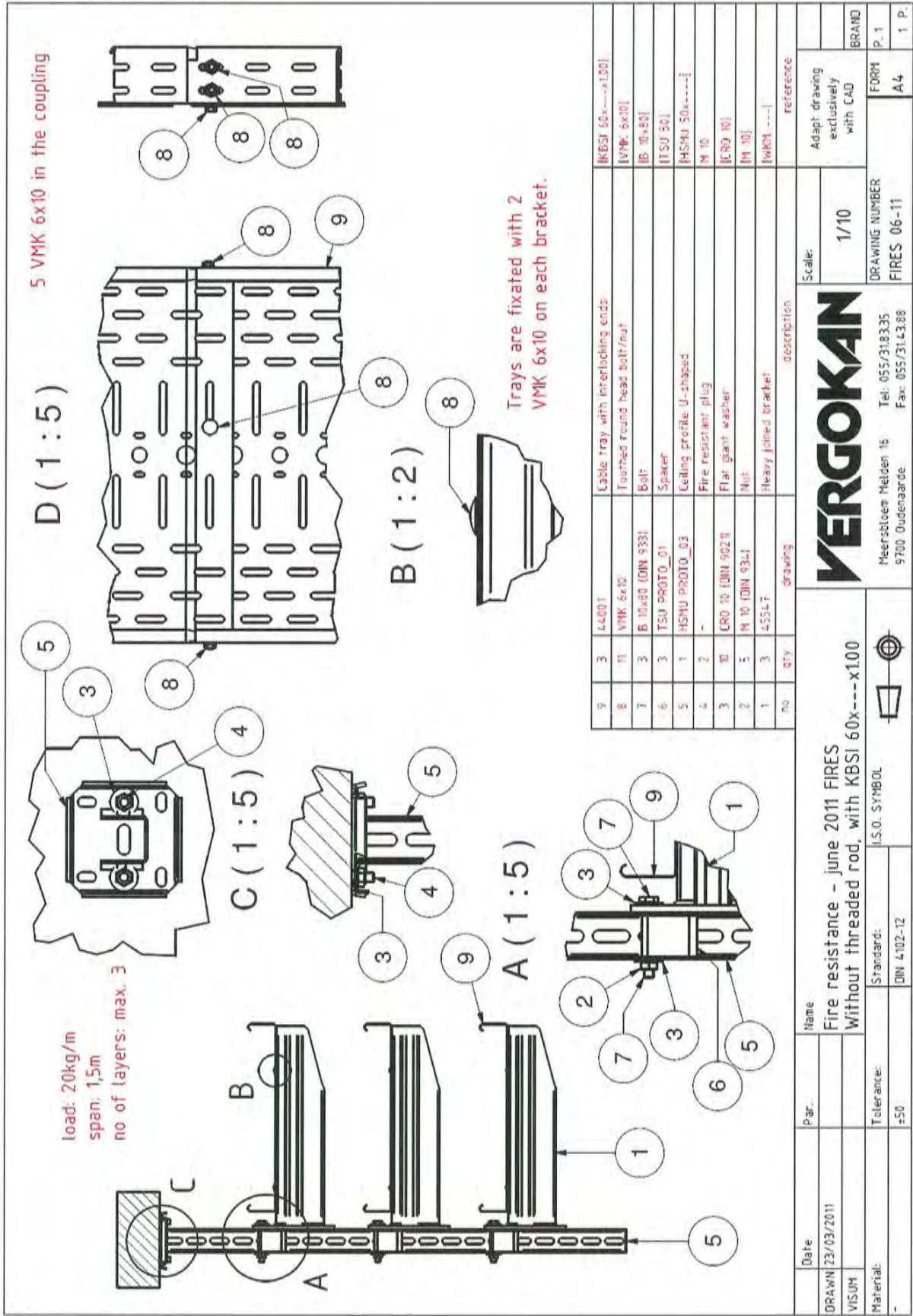
Approved:

Signed:

Ing. Štefan Rástocký
head of the testing laboratory



Bc. Dávid Šubert
technician of the testing laboratory



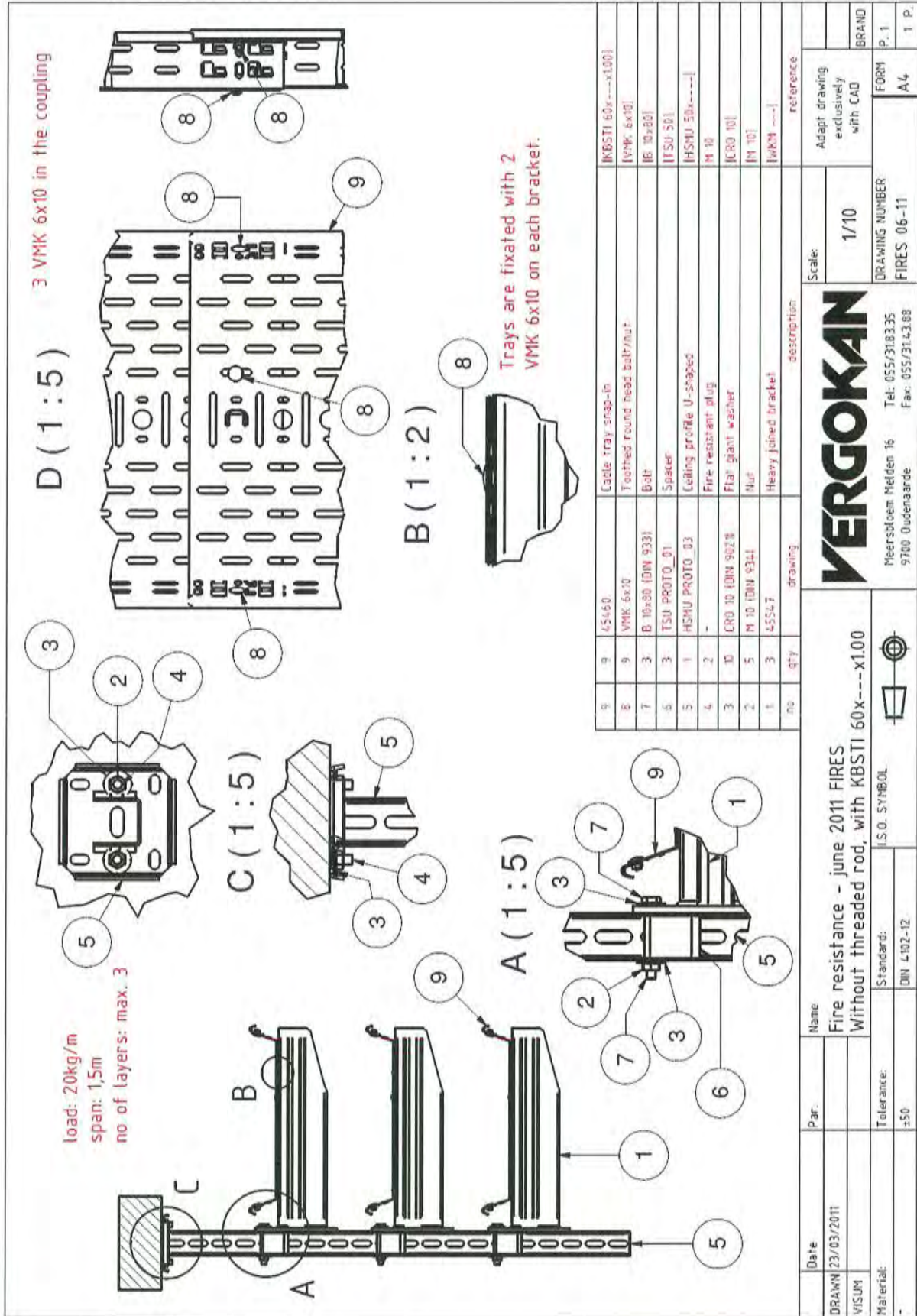
VERGOKAN

Scale: 1/10

Fire resistance - June 2011 FIRES Without threaded rod, with KBSI 60x---x100

Meerbloem Melden 16
9700 Oudenaarde
Tel: 055/3118335
Fax: 055/3114388

Date	23/03/2011	Name	Fire resistance - June 2011 FIRES
Drawn	VISUM	Par.	Without threaded rod, with KBSI 60x---x100
Material	-	Tolerance	±50
		Standard	DIN 4102-12
		U.S.O. SYMBOL	
		DRAWING NUMBER	FIRES_06-11
		FORM	A4
		BRAND	P. 1
			1 P.





load: 20kg/m
span: 1,5m
no of layers: max. 3

A (1:5)

B (1:2)

C (1:5)

D (1:5)

3 VMK 6x10 in the coupling

Trays are fixated with 2 VMK 6x10 on each bracket.

no	qty	drawing	description	reference
10	2	45460	Castle tray snap-in	[KBSTI 60x---x0.75]
9	2	RO 10 [DIN 125A]	Washer	[RO 10]
8	9	VMK 6x10	Footed round head bolt/nut	[VMK 6x10]
7	3	B 10x30 [DIN 933]	Bolt	[B 10x30]
6	3	TSU PROTO_01	Spacer	[TSU 50]
5	1	MSNU PROTO_03	Ceiling profile U-shaped	[HSMU 50x---]
4	2	-	Fire resistant plug	M 10
3	6	CRD 10 [DIN 9020]	Flat giant washer	[CRD 10]
2	5	M 10 [DIN 934]	Nut	[M 10]
1	3	45547	Heavy joined bracket	[VMK ---]

Date: DRAWN 22/06/2011
Par: VISUM
Material: -
Tolerance: ±50

Name: Fire resistance test - August 2011 FIRES
Without threaded rod, with KBSTI 60x---x0.75

Standard: DIN 4102-12
U.S.O. SYMBOL

Scale: 1/10
DRAWING NUMBER: FIRES_08-11
FORM: A4
P. 1

Meersbloom Meliden 16
9700 Oudenaarde
Tel: 055/318335
Fax: 055/314338

VERGOKAN
Adapt drawing exclusively with CAD
BRAND: VERGOKAN

Autorizovaná osoba
MVRR SR SK01
Approved Body No. SK01

Notifikovaná osoba č. 1396
Notified Body No. 1396

Člen EGOLF
EGOLF Member

Akreditovaný
certifikačný orgán
Accredited
Product Certification Body

Akreditovaný inšpekčný orgán
Accredited Inspection Body

Akreditované
skúšobné laboratórium
Accredited Testing Laboratory

preukazovanie zhody
stavebných výrobkov
conformity attestation
of construction products

inšpekcie
vnútropodnikovej kontroly
inspection
of factory production control

skúšky a klasifikácia
požiarnej odolnosti,
reakcie na oheň,
mechanicko-fyzikálnych
vlastností
testing and classification of
fire resistance, reaction to fire,
mechanical and physical
properties

teoretické hodnotenie
požiarnej odolnosti výrobkov
calculations of fire resistance

FIRES, s.r.o.
Osloboditeľov 282
059 35 Batizovce
Slovakia
tel.: +421/52/775 22 98
fax: +421/52/788 14 12

IČO: 31701043
IČ DPH: SK2020517059

Ludová banka, a.s.
Poprad
č.ú.:
SK94 3100 0000 0043 1003 7608

S.r.o. zapísaná v Obchodnom registri
Okresného súdu v Prešove, vložka
č. 2093/P, oddiel: Sro.

20 JAN. 2016



VERGOKAN

Meersbloem Melden 16
Oudenaarde 9700
Belgium

YOUR REF.

RESPONSIBLE

OUR REF.

BATIZOVCE

Šubert

Su_01_12_2015

01. 12. 2015

Subject: Confirmation

This confirmation allows to:

- use the new type of spacer TSU50 instead of spacer HDTSU50,
- change the construction of tested console (base of console) type HDHSMU in accordance with drawings, which are part of this confirmation,

provided that, rest parameters are without changes.

This confirmation is valid only with appropriate classification report:

FIRES-JR-037-11-NURD/E
FIRES-JR-038-11-NURD/E
FIRES-JR-051-11-NURD/E
FIRES-JR-052-11-NURD/E
FIRES-JR-061-11-NURE
FIRES-JR-062-11-NURE

The construction contractor is solely responsible for proper preparation.

Best regards Bc. Dávid Šubert
technician of testing laboratory



-2-

Autorizovaná osoba
MVRR SR SK01
Approved Body No. SK01

Notifikovaná osoba č. 1396
Notified Body No. 1396

Člen EGOLF
EGOLF Member

Akreditovaný
certifikačný orgán
Accredited
Product Certification Body

Akreditovaný inšpekčný orgán
Accredited Inspection Body

Akreditované
skúšobné laboratórium
Accredited Testing Laboratory

preukazovanie zhody
stavebných výrobkov
conformity attestation
of construction products

inšpekcie
vnútropodnikovej kontroly
inspection
of factory production control

skúšky a klasifikácia
požiarnej odolnosti,
reakcie na oheň,
mechanicko-fyzikálnych
vlastností
testing and classification of
fire resistance, reaction to fire,
mechanical and physical
properties

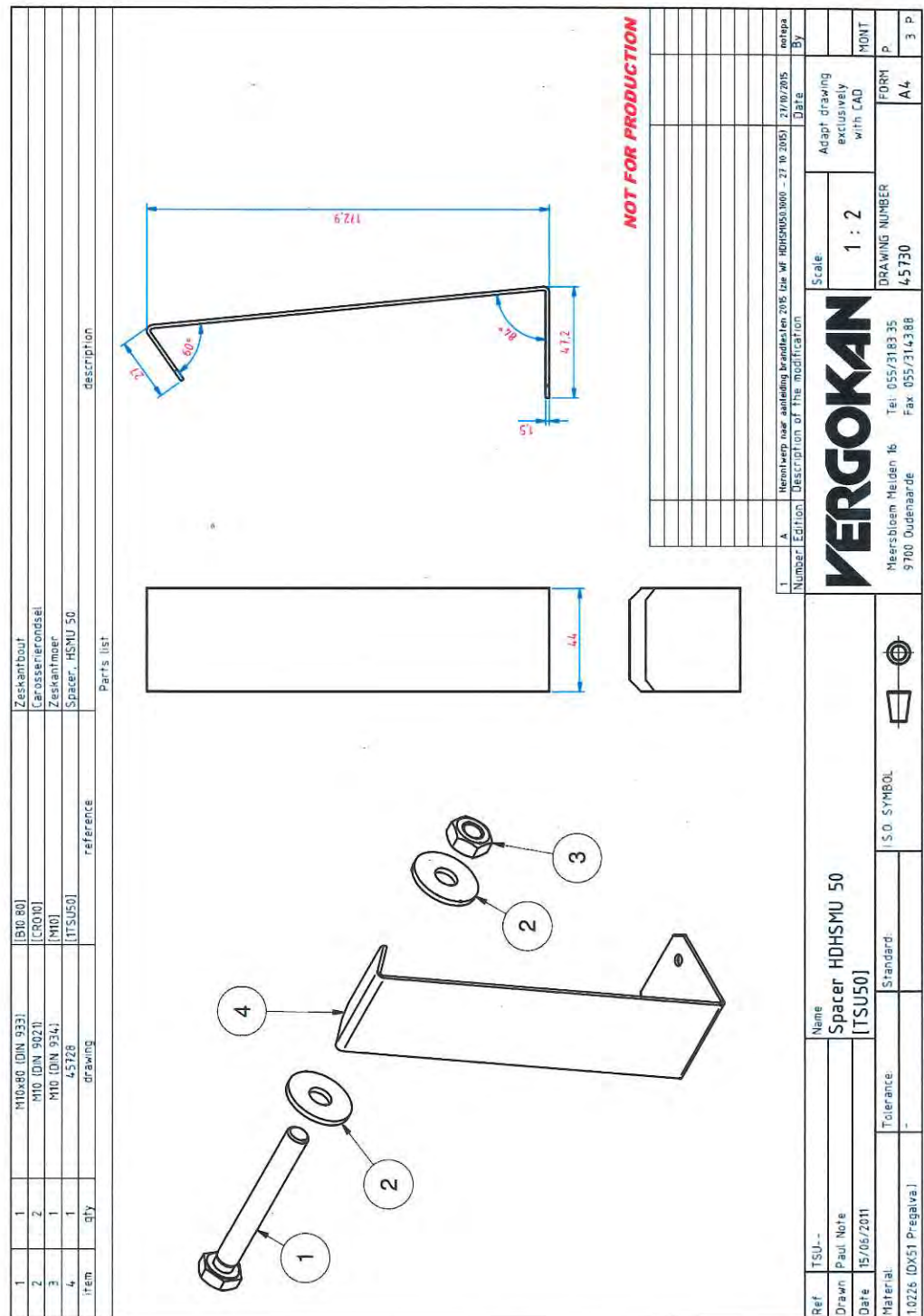
teoretické hodnotenie
požiarnej odolnosti výrobkov
calculations of fire resistance

FIRES, s.r.o.
Osloboditeľov 282
059 35 Batizovce
Slovakia
tel.: +421/52/775 22 98
fax: +421/52/788 14 12

IČO: 31701043
IČ DPH: SK2020517059

Ludová banka, a.s.
Poprad
č.ú.:
SK94 3100 0000 0043 1003 7608

S.r.o. zapísaná v Obchodnom registri
Okresného súdu v Prešove, vložka
č. 2093/P, oddiel: Sro.



Autorizovaná osoba
MVRR SR SK01
Approved Body No. SK01

Notifikovaná osoba č. 1396
Notified Body No. 1396

Člen EGOLF
EGOLF Member

Akreditovaný
certifikačný orgán
Accredited
Product Certification Body

Akreditovaný inšpekčný orgán
Accredited Inspection Body

Akreditované
skúšobné laboratórium
Accredited Testing Laboratory

preukazovanie zhody
stavebných výrobkov
conformity attestation
of construction products

inšpekcie
vnútropodnikovej kontroly
inspection
of factory production control

skúšky a klasifikácia
požiarnej odolnosti,
reakcie na oheň,
mechanicko-fyzikálnych
vlastností
testing and classification of
fire resistance, reaction to fire,
mechanical and physical
properties

teoretické hodnotenie
požiarnej odolnosti výrobkov
calculations of fire resistance

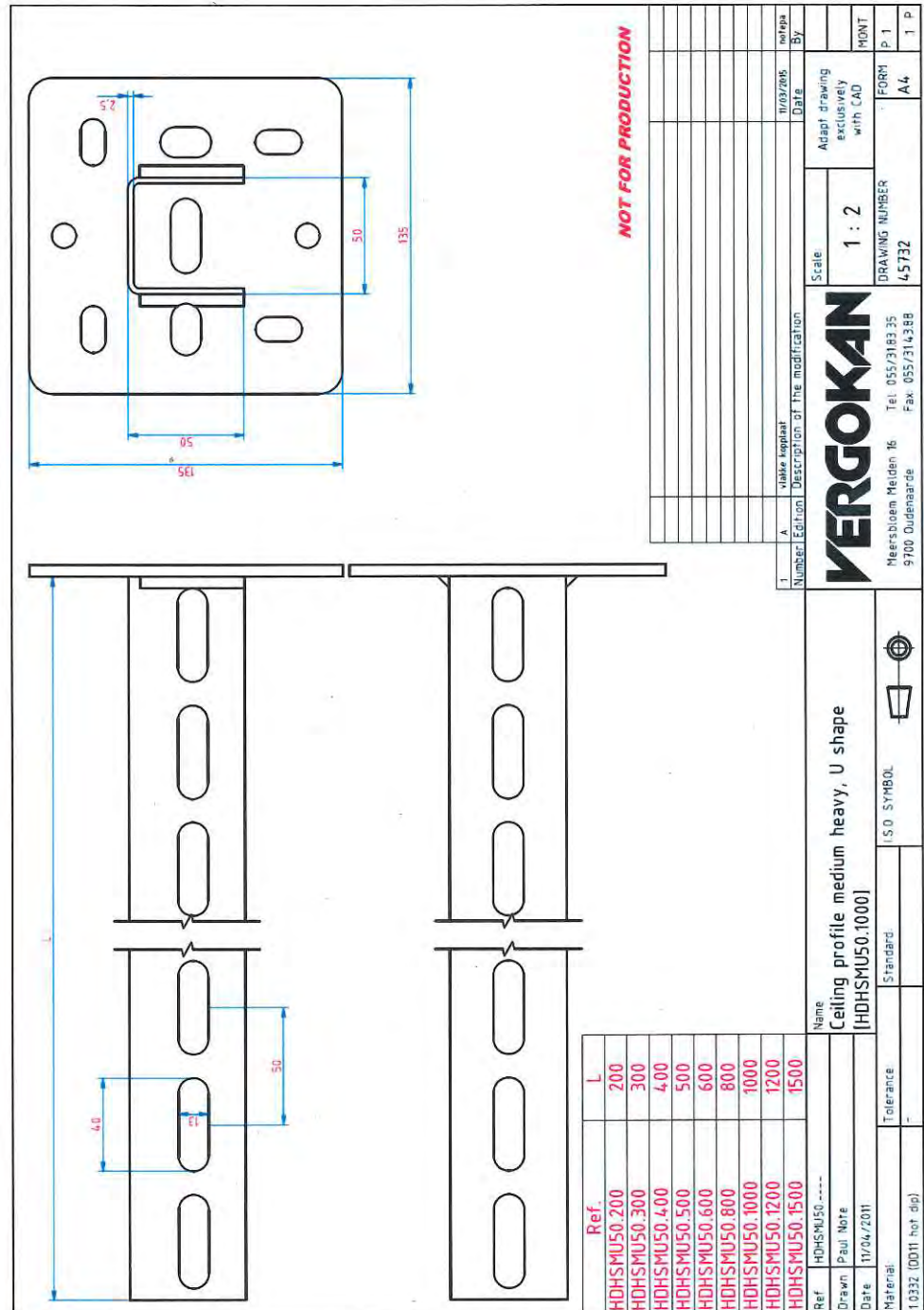
FIRES, s.r.o.
Osloboditeľov 282
059 35 Batizovce
Slovakia
tel.: +421/52/775 22 98
fax: +421/52/788 14 12

IČO: 31701043
IČ DPH: SK2020517059

Ludová banka, a.s.
Poprad
č.ú.:
SK94 3100 0000 0043 1003 7608

S.r.o. zapísaná v Obchodnom registri
Okresného súdu v Prešove, vložka
č. 2093/P, oddiel: Sro.

New console:



Autorizovaná osoba
MVRR SR SK01
Approved Body No. SK01

Notifikovaná osoba č. 1396
Notified Body No. 1396

Člen EGOLF
EGOLF Member

Akreditovaný
certifikačný orgán
Accredited
Product Certification Body

Akreditovaný inšpekčný orgán
Accredited Inspection Body

Akreditované
skúšobné laboratórium
Accredited Testing Laboratory

preukazovanie zhody
stavebných výrobkov
conformity attestation
of construction products

inšpekcie
vnútropodnikovej kontroly
inspection
of factory production control

skúšky a klasifikácia
požiarnej odolnosti,
reakcie na oheň,
mechanicko-fyzikálnych
vlastností
testing and classification of
fire resistance, reaction to fire,
mechanical and physical
properties

teoretické hodnotenie
požiarnej odolnosti výrobkov
calculations of fire resistance

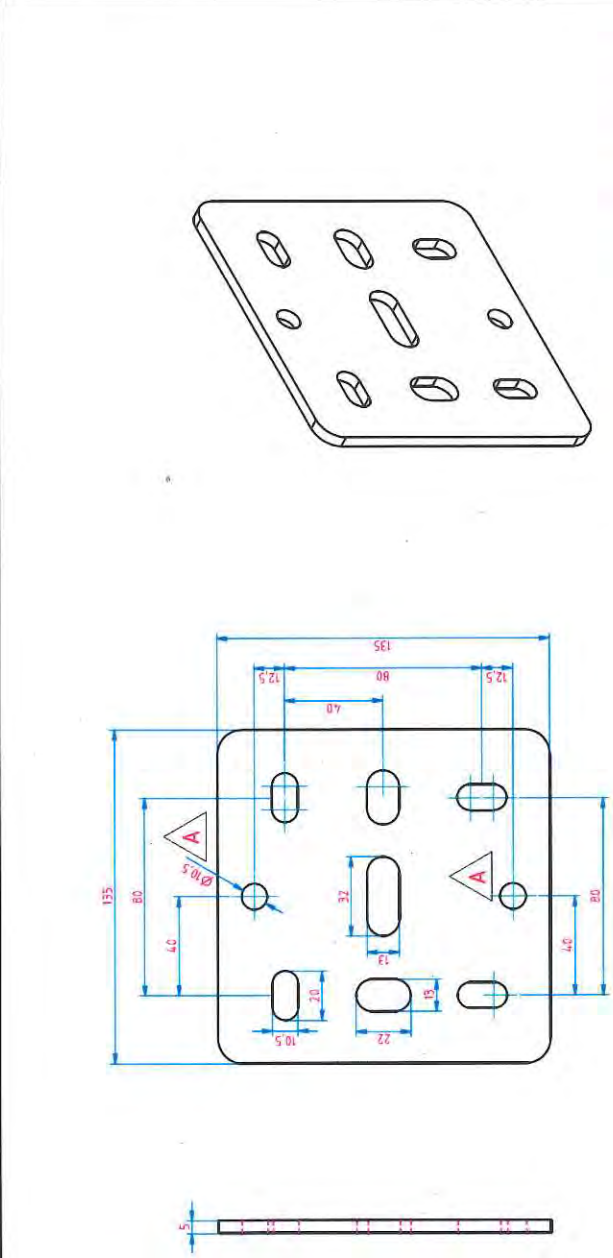
FIRES, s.r.o.
Osloboditeľov 282
059 35 Batizovce
Slovakia
tel.: +421/52/775 22 98
fax: +421/52/788 14 12

IČO: 31701043
IČ DPH: SK2020517059

Ľudová banka, a.s.
Poprad
č.ú.:
SK94 3100 0000 0043 1003 7608

S.r.o. zapísaná v Obchodnom registri
Okresného súdu v Prešove, vložka
č. 2093/P, oddiel: Sro.

New console:



NOT FOR PRODUCTION

1	A	Terzoogen van paken d0 (zonder WF)	11/06/2014	SC	By	Adapt drawing exclusively with CAD	FORM	2	P	
							Scale	1 : 2	MONT	
							DRAWING NUMBER		P 2	
							46059		A4	
							Meespleem Melden 16		Tel. 055/3183 35	
							9700 Oudehaarde		Fax. 055/314 388	

VERGOKAN

Ref	Name	Standard	Tolerance	I.S.O. SYMBOL	Symbol
0RPHSLE3	Head plate type HSLE3	Standard			
Drawn					
Date					
Material					
1.0332 (DD11 untreated)					